



**THE TRIAL REPORT OF
FITCH FUEL CATALYST (FFC) TYPE F10.000
AT THE POWER STATION LINE 1
PT. SUMALINDO LESTARI JAYA TBK, DIVISI MDF**

INTRODUCTION

The target of testing Fitch Fuel Catalyst (FFC) is to obtain engine efficiency and to reduce the fuel consumption.

ENGINE

The Engine type is:

STORK WARTSILA 9SW280 @2.7MW
TRUNK PISTON 9CYL IN LINE, TURBO CHARGED

The test started at the position of Hour Meter (HM): 38.553.

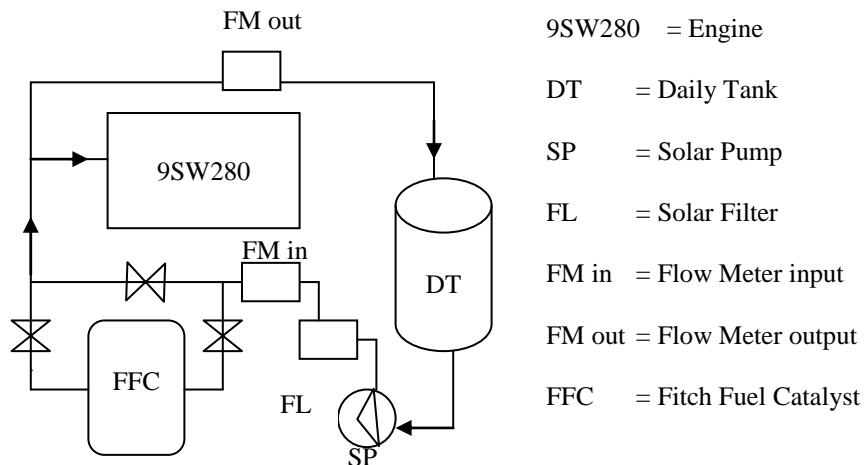
FITCH FUEL CATALYST (FFC) TYPE F10.000

PROCEDURE OF TRIAL

The Engine set to the constant (1000 rpm). The period of testing as follows:

The first (I) 24 hours	= without the catalyst
The second (II) 24 hours	= with the catalyst
The third (III) 24 hours	= with the catalyst
The fourth (IV) 24 hours	= with the catalyst

INSTALLATION GRAPH

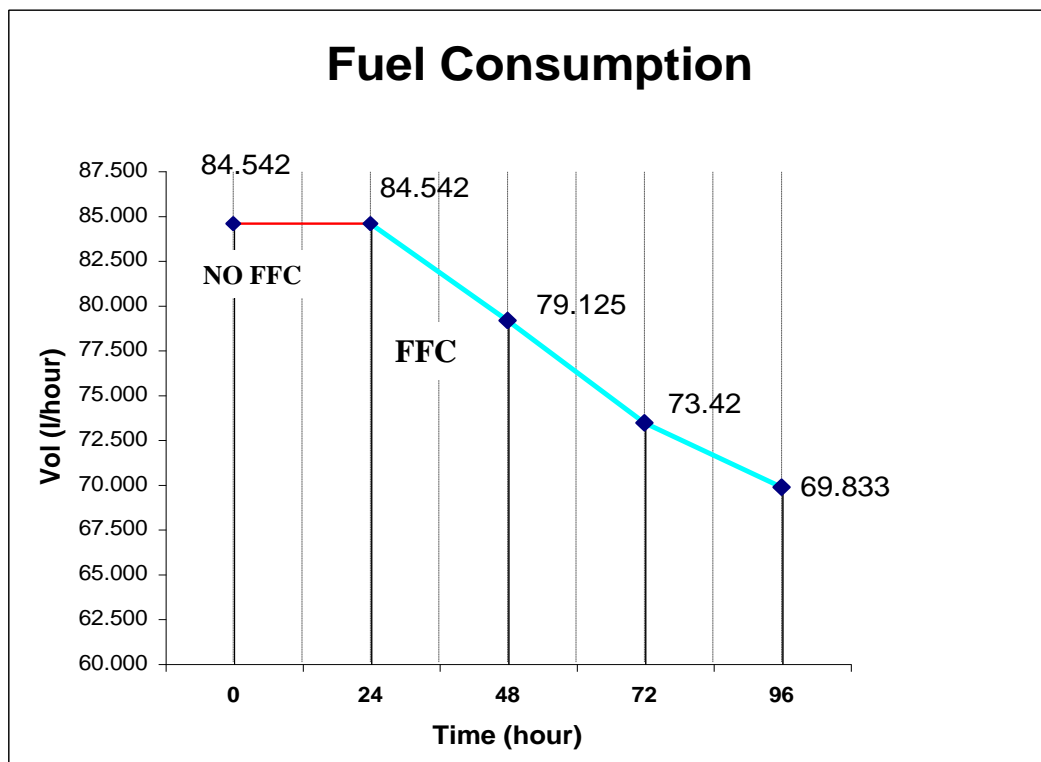


TRIAL DATA

The testing started on August 9, 2004 at 22.00 until August 13, 2004 at 22.05.

HOURS	DATE	FM in	FM out	Consumption	Average	REDUCTION
				SOLAR (liter)	PER HOURS (liter)	(Efficiency)
	<u>Without FFC</u>					
22.00	9-Agust-04	540.800	148	-	-	-
22.00	10-Agust-04	592.556	49.875	2.029	84,542	0
	<u>With FFC</u>					
22.05	10-Agust-04	592.725	50.035	-	-	-
22.05	11-Agust-04	644.955	100.366	1.899	79,125	6,41%
22.05	12-Agust-04	697.140	150.789	1.762	73,420	13,16%
22.05	13-Agust-04	749.251	201.224	1.676	69,833	17,39%

PLOT GRAPHIC



The above information is correct and true by the undersigned

Tanjung Harapan (name of the location), August 17, 2004

Yuliar Firmansyah

Chief of Utility Service Dept